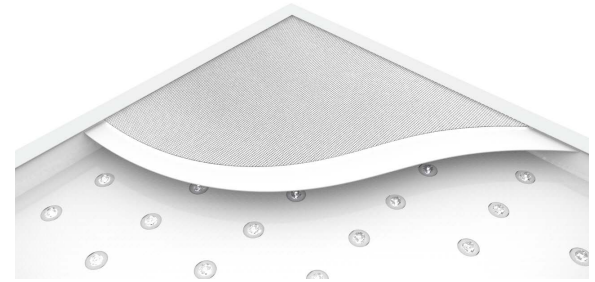


SGSLight's TLP-B back-lit LED panel is an economic option to the TLP series edge-lit LED panel with PS LGP. The back-lit design, with PMMA lens on each LED, provides high uniformity, even light distribution and low glare in T-grid ceiling applications.



Features & Benefits

- UGR<16 low glare
- Back-lit LED panel light with PMMA lens
- High lumen efficacy, >120 lm/W, 80+ CRI
- High efficiency flicker free LED driver
- High efficiency LM80 SMD LEDs
- TUV CB, CE and RoHS certified
- 5 years warranty



Optical Specification

LM Output (lm) ±5%	3600
Lm/W ±5%	120
CCT (K)	3000, 4000, 6000K
CRI	>80
SDCM	<6
Beam Angle	90 degree
UGR	<16

Electrical Specification

Total Power (W)	30
Input Voltage	220-240VAC 50/60 Hz
Power Factor	>0.95
Power Efficiency	>0.9
Electrical Protection	Class II
Hi-Pot Test Range	3750Vdc/5mA/60S
Dimmable	DALI / 0-10V / Triac Optional

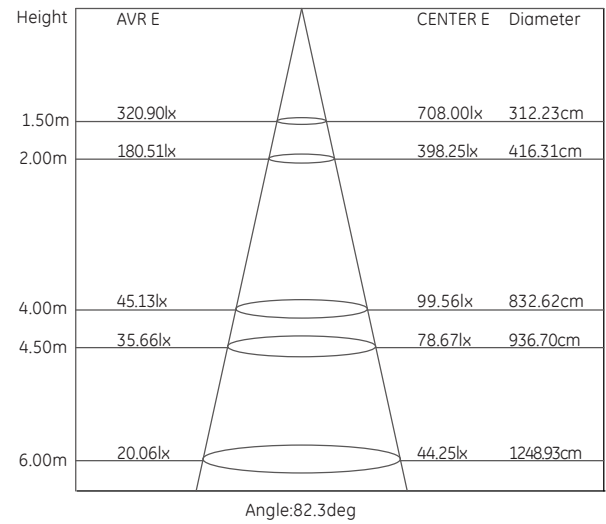
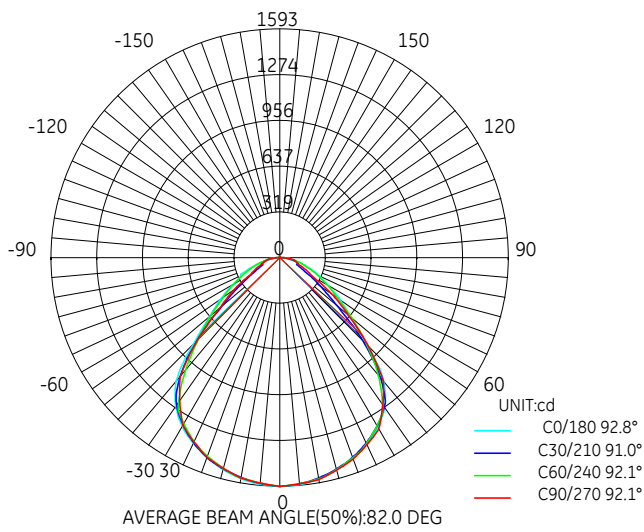
Physical Specification

Housing Color	RAL9010
LED Lens	PMMA
Frame	Aluminium
Back Housing	White Zinc-coated Iron
Reflector Paper	Yes
IP Degree	40
IK Degree	02

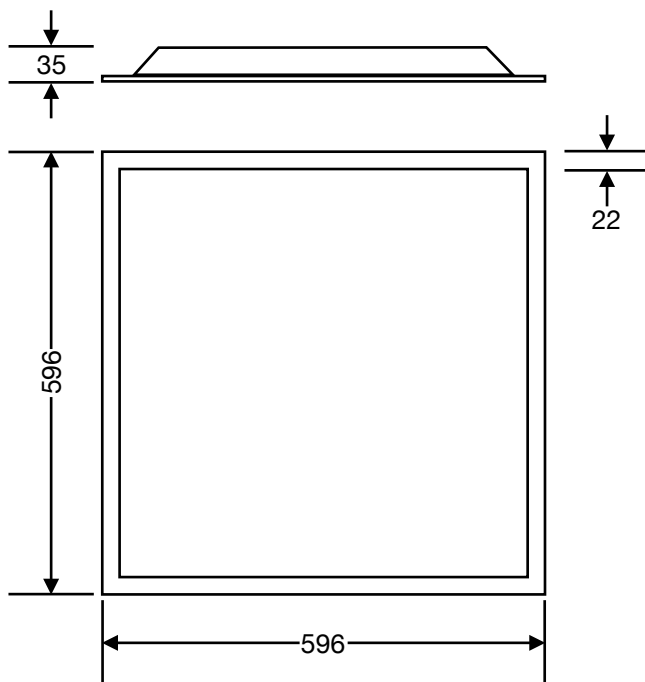
Life Data

Warranty	5 years
L70B50	80,000 hours
L80B50	50,000 hours
L90B50	25,000 hours
Driver Failure Rate	0.3% per 5,000 hours
Maintenance	Optical module sealed, no internal cleaning required

Photometric Data



Dimension / Package



Model	Size	Carton Package			40HQ Loading Quantity
		CTN Size (mm)	GW (Kg)	NW (Kg)	
TLP-B.BLIT-6060-30D-UGR	6060	640x220x640	9.3	6.7	4