

Features & Benefits

- *Superb CRI > 95 with 110 lm/W high lumen efficacy
 - UGR < 16 with up-to-date glare control diffuser
 - TUV CB, CE and RoHS certified
 - Lifud high efficiency LED driver, flicker free
 - High efficiency LM80 SMD LEDs
 - PMMA light guide panel
 - ElecCoat™ technology provides white appearance, with superb heat dissipation performance
 - NanoGap™ technology ensures the high lumen efficacy and protection of the LEDs
 - Dimmable: DALI / 0-10V / TRIAC optional
 - 5 years warranty
- *Max CCT 5500K



Technical Data

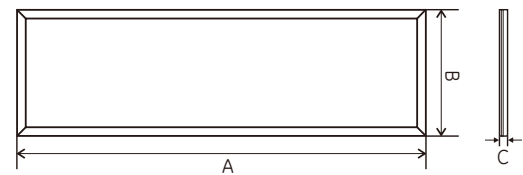
Input Voltage	*220-240VAC / 50/60 Hz
PF	*≥0.95@230VAC
THD	*≤20%
Driver Efficiency	*≥90%@230VAC
Life	50,000 hrs
Dimmable Control	DALI / 0-10V / Triac Optional
Frame Color	White
IP / IK / Glow-wire	IP40 / IK06 / 650 °C
Temperature / Humidity	Working: -20-40 °C Storage: <60 °C / <75%
UGR	<16

*LF-GIF040YA LED Driver

Specifications

	TLP-30120-38-110V-NU	TLP-30120-38-110V-95-NU	
Rated Power (W) ±5%	38		
Driver Output	33-40VDC / 900mA		
CCT (K)	5500	4000	3000
LM Output (lm) ±5%	4180	4180	3800
Lm/W ±5%	110	110	100
LED Type / Quantity	D200/14C16B 224pcs		
LM80 lumen maintenance	>98.8% @ 6,000hrs		
CRI / SDCM	>90	>95	
Warranty	5 years		

Product Dimension



Type	Dimension		
	A	B	C
TLP-30120	1196	296	11

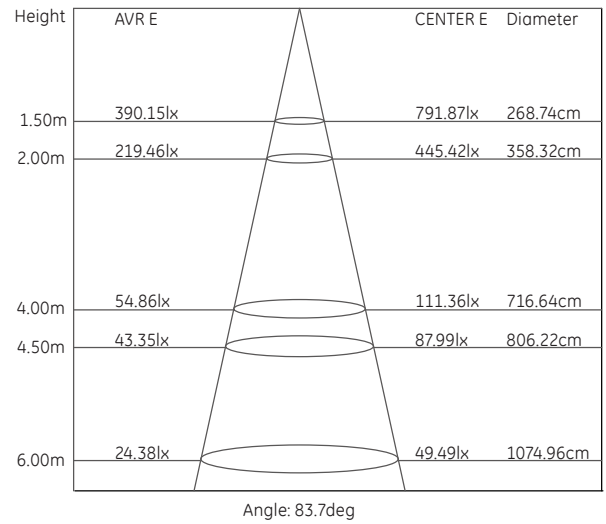
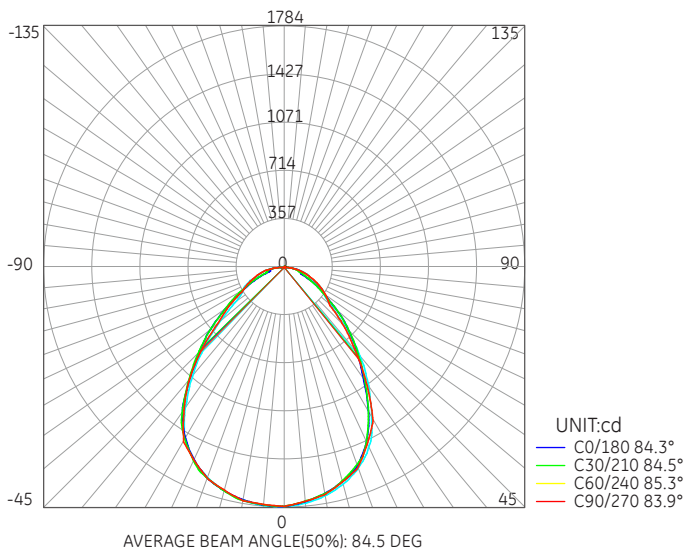
Ordering Information

Example : TLP-30120-38-NW-110V-NU

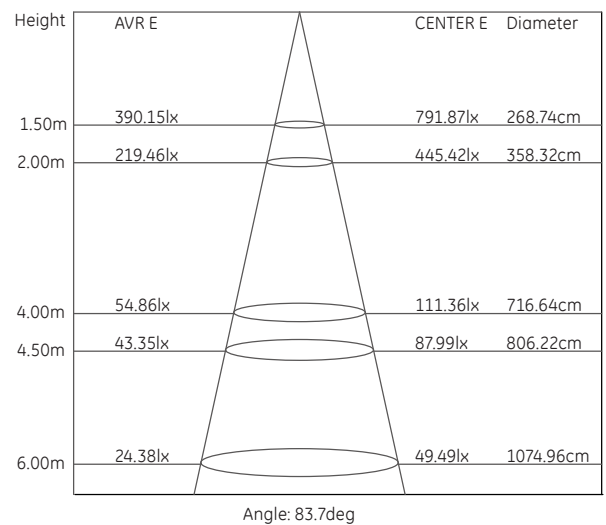
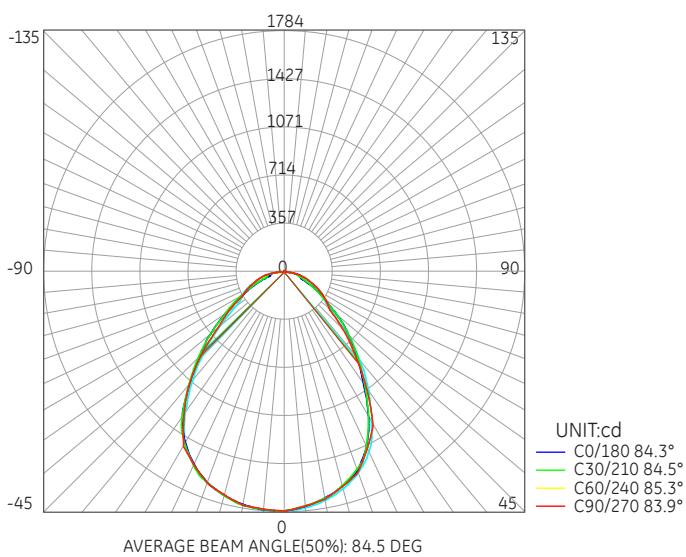
Model	Size	Wattage	Color Temp	Lm/W
TLP	30120 296*1196	38 38W	WW 3000K NW 4000K CW 6000K	110

Photometric Data

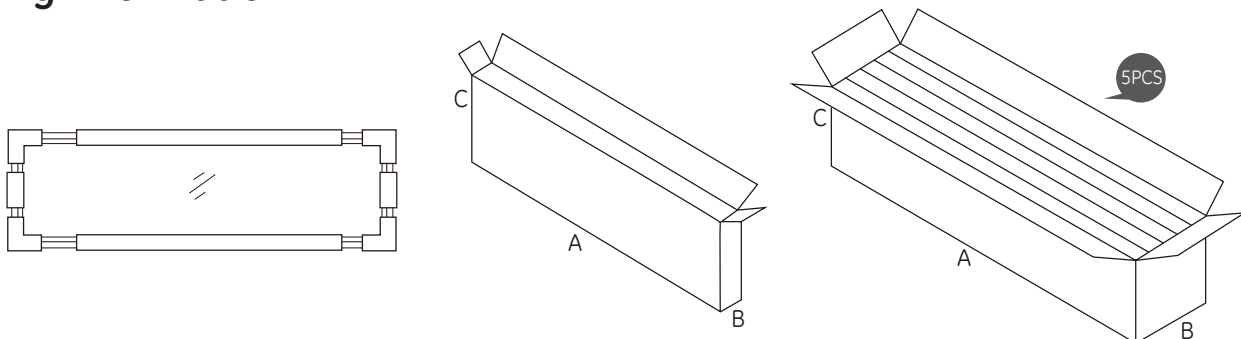
TLP-30120-38-NW-110V-NU



TLP-30120-38-NW-110V-95-NU



Packing Information



Panel	Box		Carton	
Model No.	ABC MAX (mm)	GW (kg)	ABC MAX (mm)	GW (kg)
TLP-3012	1290*35*350	3	1310*190*350	17