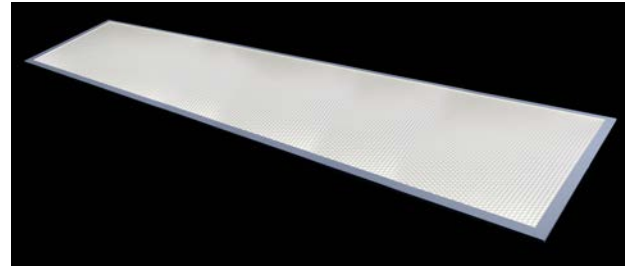


## Features & Benefits

- UGR < 16 with up-to-date glare control diffuser
- 110 lm/W high lumen efficacy, 80+ CRI
- TUV CB, CE and RoHS certified
- Lifud high efficiency LED driver, flicker free
- High efficiency LM80 SMD LEDs
- PMMA light guide panel
- ElecCoat™ technology provides white appearance, with superb heat dissipation performance
- NanoGap™ technology ensures the high lumen efficacy and protection of the LEDs
- Dimmable: DALI / 0-10V / TRIAC optional
- 5 years warranty

**UGR<16**      **Fire-resistant**



## Technical Data

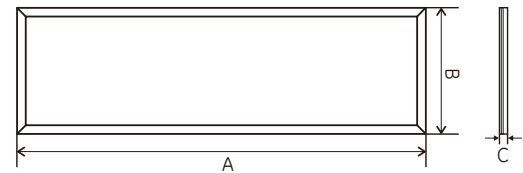
Input Voltage	*220-240VAC / 50/60 Hz
PF	*≥0.95@230VAC
THD	*≤20%
Driver Efficiency	*≥90%@230VAC
Life	50,000 hrs
Dimmable Control	DALI / 0-10V / Triac Optional
Frame Color	White
IP / IK / Glow-wire	IP40 / IK06 / 650 °C
Temperature / Humidity	Working: -20-40 °C Storage: <60 °C / <75%
UGR	<16

\*LF-GIF040YA LED Driver

## Specifications

	TLP-30120-36-110-NU	TLP-30120-48-105-NU
Rated Power (W) ±5%	36	48
Driver Output	33-40VDC / 850mA	33-40VDC / 1100mA
CCT (K)	6000 4000 3000	6000 4000 3000
LM Output (lm) ±5%	3960 3960 3600	5040 5040 4560
Lm/W ±5%	110 110 100	105 105 95
LED Type / Quantity	J200/14C16B 224pcs	
LM80 lumen maintenance	>98.8% @ 6,000hrs	
CRI / SDCM	>80 / <6	
Warranty	5 years	

## Product Dimension



Type	Dimension		
	A	B	C
TLP-30120	1196	296	11

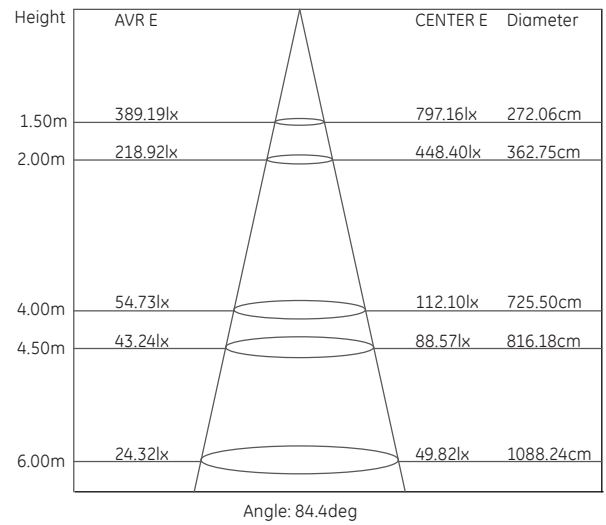
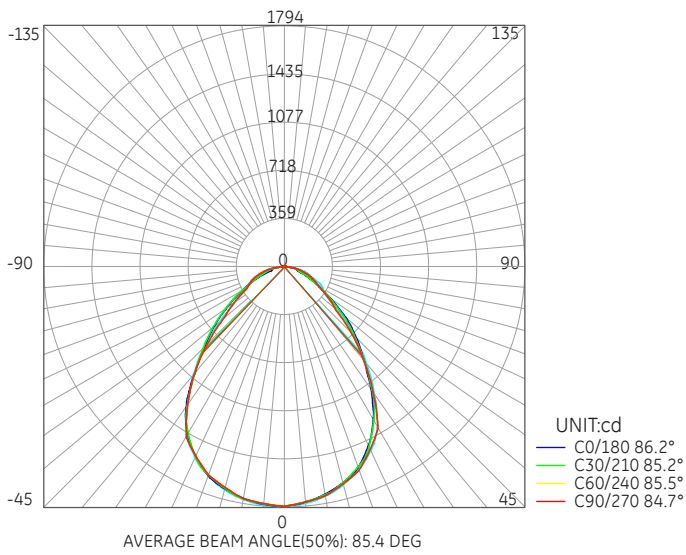
## Ordering Information

Example : TLP-30120-36-NW-110-NU

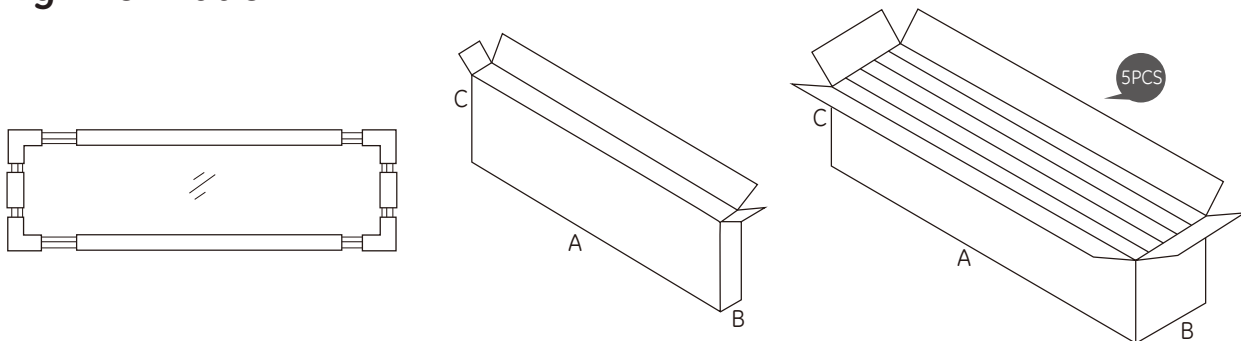
Model	Size	Wattage	Color Temp	Lm/W
TLP	30120 296*1196	36 36W	WW 3000K	105
		48 48W	NW 4000K	
			CW 6000K	

### Photometric Data

TLP-30120-36-NW-110-NU



### Packing Information



Panel		Box		Carton	
Model No.	ABC MAX (mm)	GW (kg)	ABC MAX (mm)	GW (kg)	
TLP-3012	1290*35*350	3	1310*190*350	17	