

## Features & Benefits

- 120 lm/W high lumen efficacy, 80+ CRI
- TUV CB, CE and RoHS certified
- High efficiency LED driver, flicker free
- High efficiency LM80 SMD LEDs
- PS light guide panel
- ElecCoat™ technology provides white appearance, with superb heat dissipation performance
- NanoGap™ technology ensures the high lumen efficacy and protection of the LEDs
- Dimmable: DALI / 0-10V / TRIAC optional
- TpA fire-resistant PC diffuser optional
- 5 years warranty

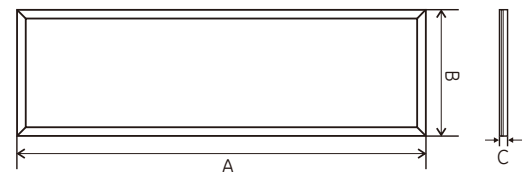


## Technical Data

Input Voltage	*220-240VAC / 50/60 Hz
PF	*≥0.95@230VAC
THD	*≤20%
Driver Efficiency	*≥90%@230VAC
Life	50,000 hrs
Dimmable Control	DALI / 0-10V / Triac Optional
Frame Color	White
IP / IK / Glow-wire	IP40 / IK06 / 650 °C
Temperature / Humidity	Working: -20-40 °C Storage: <60 °C / <75%
UGR	<22

\*LF-GIF040YA LED Driver

## Product Dimension



Type	Dimension		
	A	B	C
TLP-30120	1196	296	11

## Specifications

	TLP-30120-36-120D
Rated Power (W) ±5%	36
Driver Output	33-40VDC / 800mA
CCT (K)	6000 4000 3000
LM Output (lm) ±5%	4320 4320 3960
Lm/W ±5%	120 120 110
LED Type / Quantity	J190/14C16B 224pcs
LM80 lumen maintenance	>97.4% @ 6,000hrs
CRI / SDCM	>80 / <6
Warranty	3 years

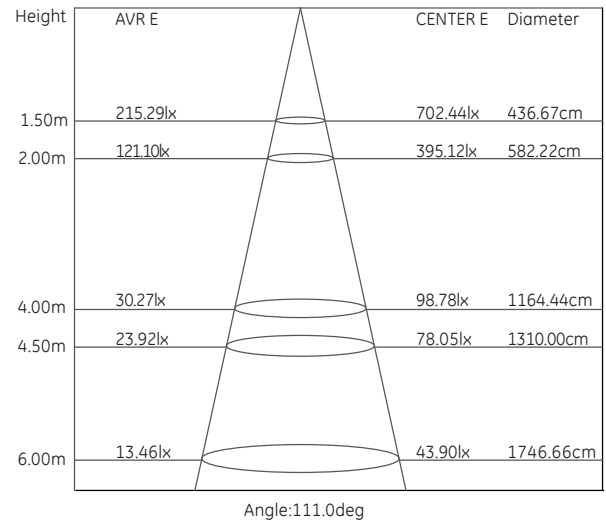
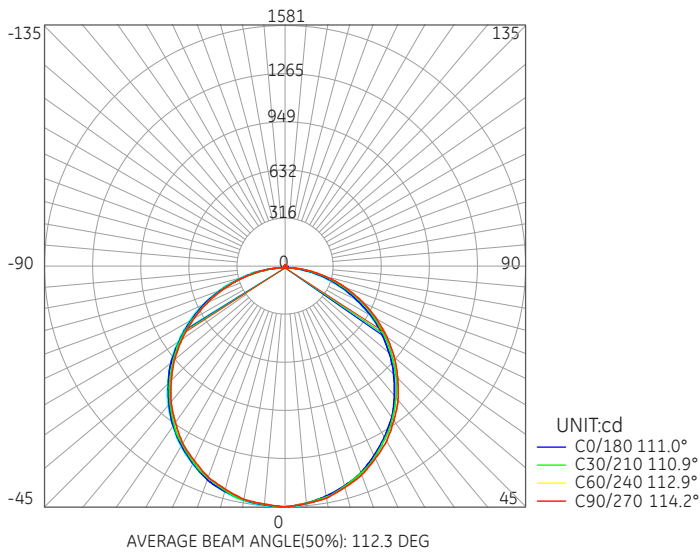
## Ordering Information

Example : TLP-30120-36-NW-120D

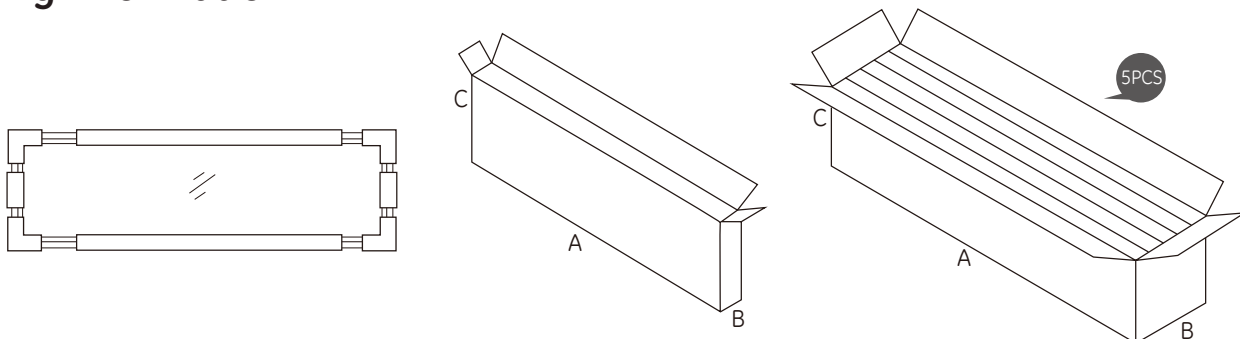
Model	Size	Wattage	Color Temp	Lm/W
TLP	30120 296*1196	36 36W	WW 3000K NW 4000K CW 6000K	120

## Photometric Data

TLP-3012-36-NW-120D 36W 4000k



## Packing Information



Panel	Box		Carton	
Model No.	ABC MAX (mm)	GW (kg)	ABC MAX (mm)	GW (kg)
TLP-30120	1290*35*350	3	1310*190*350	17