

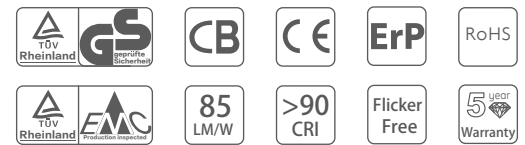
Features & Benefits

- Special size LED panel: 296x1496 mm
- 90+ CRI LED panel with up to 85 lm/W efficacy
- TUV CB, GS, EMC and RoHS certified
- Philips Xitanium LED Driver, flicker free
- LM80 18x35mil 2835 SMD, 97.1% lumen maintenance @ 6,000 hours
- 3T PS LGP; 1.2T CHIMEI PS diffuser and TORAY frosted enhanced light reflector
- ElecCoat™ technology provides white appearance, with superb heat dissipation performance
- NanoGap™ technology ensures the high lumen efficacy and protection of the LEDs
- Dimmable: DALI / 0-10V / TRIAC optional
- 5 years warranty

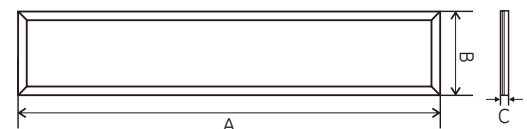


Specifications

TLP-V-3015-70	
Rated Power (W) ±5%	70
Input Voltage / Frequency	220-240VAC 50/60Hz
Driver Output	32-42VDC / 900mA x 2
PF	>0.9
THD	<15%
Efficiency	85%
CCT (K)	6000 4000 3000
LM Output (lm) ±5%	5950 5950 5390
Lumen Efficacy (lm/W) ±5%	85 85 77
LED Type / Quantity	18x35mil Chip / 264pcs
LM80	>97.1% lumen maintenance @ 6,000hrs
CRI / SDCM	>90 / <3
Warranty	5 years
Life	50,000hrs
Dimmable Control	DALI / 0~10V / Traic Optional
Frame Color / RAL	Pure white / RAL9016
Dimensions	296x1496x11mm
Weight	4.6 Kg
IP / IK / Glow-wire	IP20 / IK06 / 650 °C
Temperature / Humidity	Working: -20 °C ~40 °C Storage: <60 °C / <75%
UGR	< 22



Product Dimension



Type	Dimension		
	A	B	C
TLP-V-3015	1496	296	11

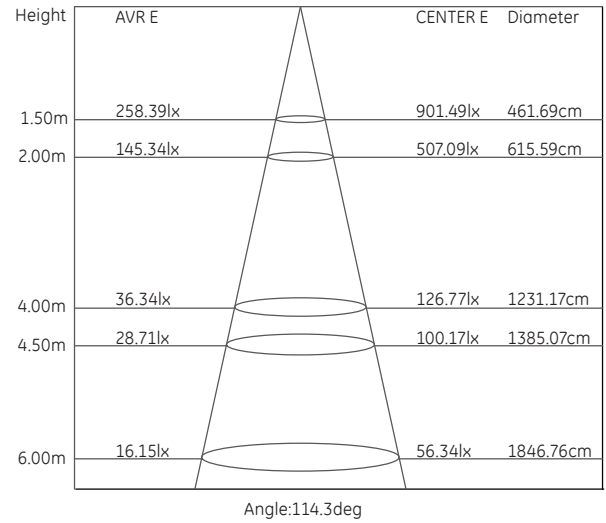
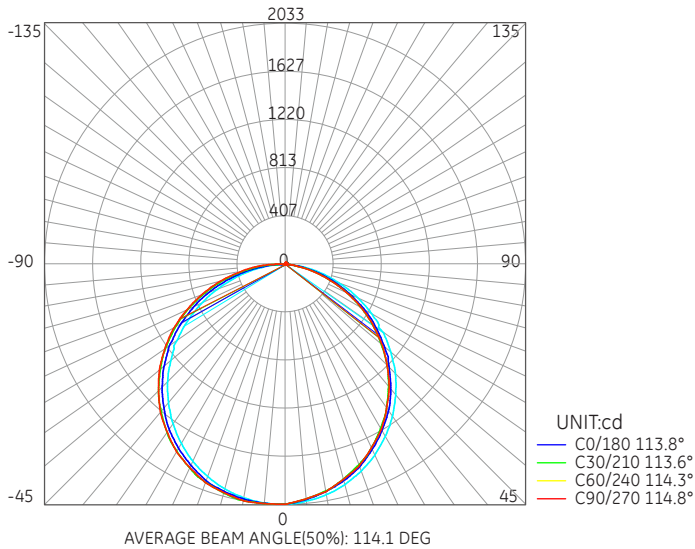
Ordering Information

Example : TLP-V-3015N-70

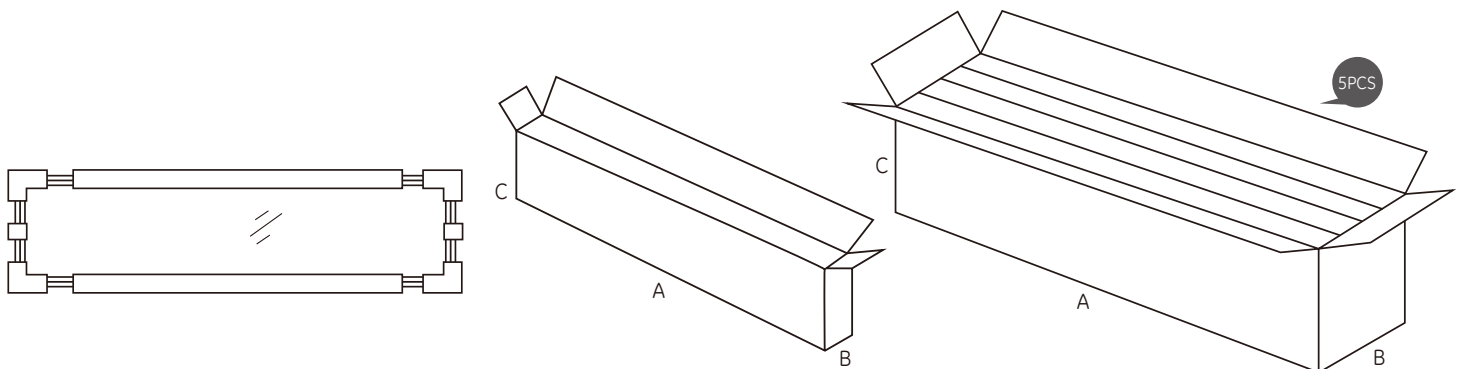
Model	Size	Color Temp	Wattage
TLP-V	3015 296*1496	W 3000K	70 70W
		N 4000K	
		C 6000K	

Photometric Data

TLP-V-3015N-70 70W 4000k



Packing Information



Panel	Box		Carton	
Model No.	ABC MAX (mm)	GW (kg)	ABC MAX (mm)	GW (kg)
TLP-V-3015	1590*35*340	4.9	1620*200*360	26.5