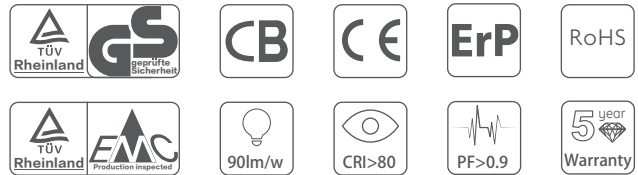


90 lm/W 596 X 1196

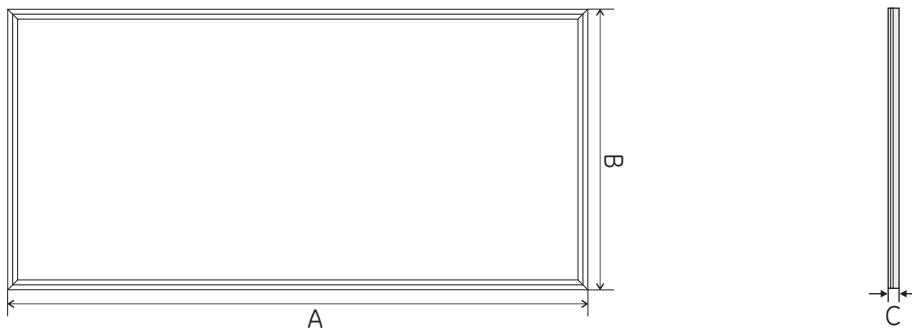
Features & Benefits

- *90 lm/W high lumen efficacy, with high 80+ CRI.
- TUV CB, GS, EMC and RoHS certified.
- LM80 20x35mil 2835 SMD, 97.1% lumen maintenance @ 6,000 hours.
- 3T ENTIRE PMMA LGP, with extrusion process; 1.2T CHIMEI PS diffuser and DXC light reflector.
- ElecCoat™ technology provides white appearance, with superb heat dissipation performance.
- NanoGap™ technology ensures the high lumen efficacy and protection of the LEDs.
- Control: DALI / 0-10V / TRIAC dim control solutions available.
- Long life: L70 @ 80,000 hours.
- 5 years warranty.

* TLP-F-6012N-72



Dimension



Model	Dimension (mm)		
	A	B	C
TLP-F-6012	596	1196	11

Ordering Information

Example: TLP-F-6012N-72

Model	Size	Color Temp	Wattage
TLP-F	6012 596*1196	W 3000K	72 72W
		N 4000K	
		C 6000K	

Specifications

Optical Parameters

	TLP-F-6012-72		
Size	596x1196x11		
CCT	6000K	4000K	3000K
Lumen Output (lm) ±5%	6480	6480	5760
LM Efficacy (lm/W) ±5%	90	90	80
LED Type / Quantity	20x35mil chip / 216pcs		
CRI / SDCM	>80 / <6		

Electrical Parameters

Rated Power ±5%	72W
Rated / Actual Input	180-260VAC / 100-240VAC 50/60Hz
Driver Output Data	25-38VDC / 1800mA / 65W
Power Factor / THD / PE	>0.9 / <20 / 88%
Driver / Connection	Removable Driver / PIP
Over Load / Short Circuit	Protection
Surge / Protection Class IEC	>1KV / Class II
Hi-pot Test Range	SELV Isolated Driver, 3750VDC / 5mA / 60s

Life

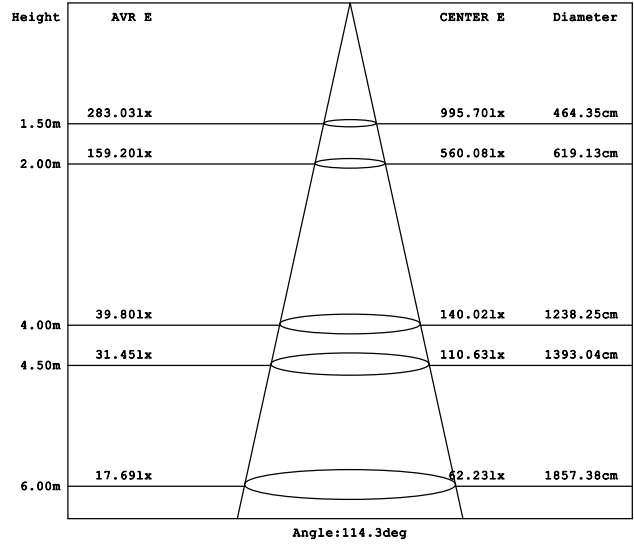
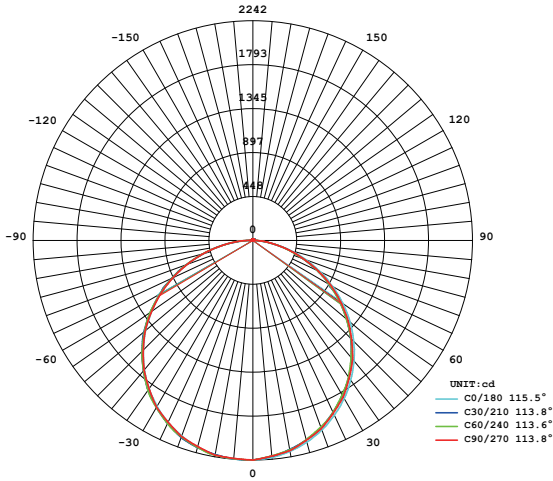
Warranty	5 years
L70 Lifetime	80,000 hours
LM80	>97.1% lumen maintance @ 6,000 hours

Others

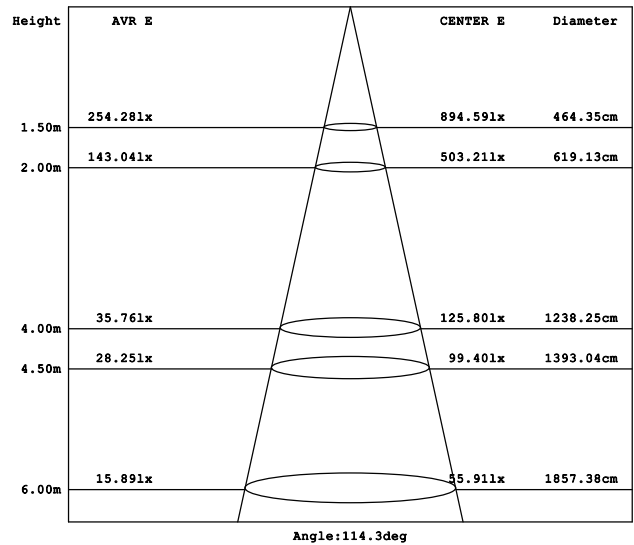
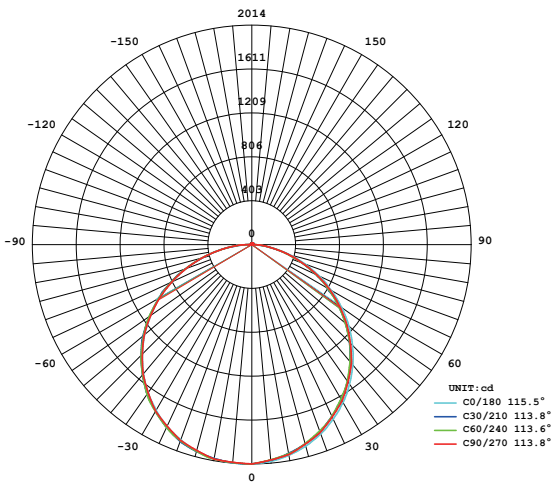
Dim Control	DALI / 0-10V / TRIAC
Frame Color RAL	Pure white / RAL9016
IP / IK / Glow-wire	IP20 / IK06 / 650 °C
Temperature / Humidity	Working: -20 °C ~40 °C Storage: <60 °C / <75%

Photometric Data

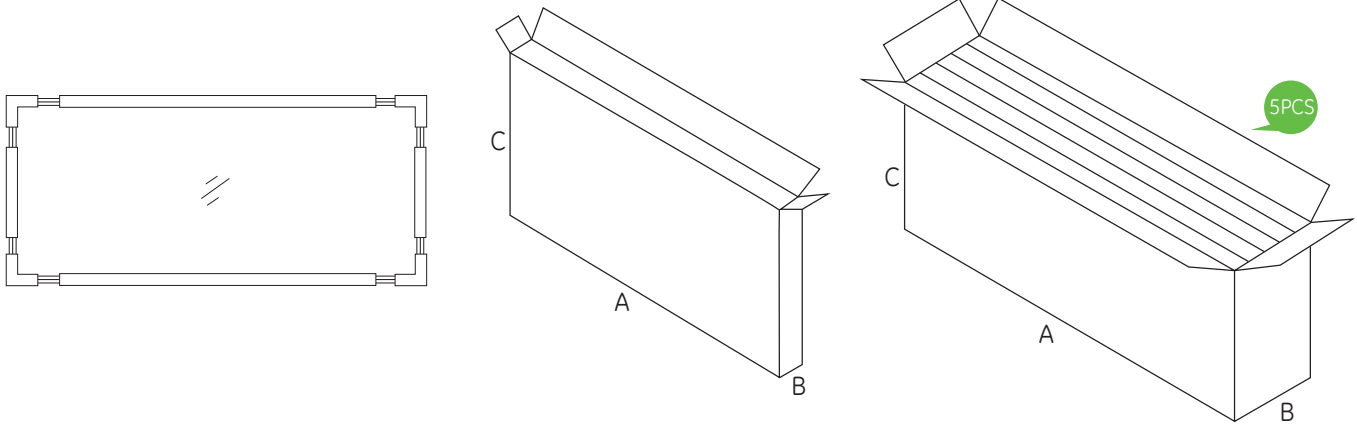
TLP-F-6012N-72 72W 4000k



TLP-F-6012W-72 72W 3000k



Packing Information



Panel		Box		Carton	
Model No.	ABC MAX (mm)	GW (kg)	ABC MAX (mm)	GW (kg)	
TLP-F-6012	1250*45*630	7.55	1270*240*660	41.35	