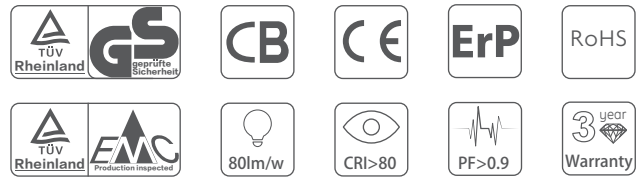


80 lm/W 620 X 620

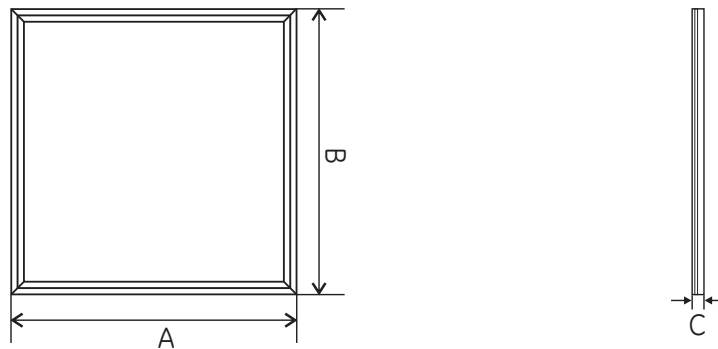
Features & Benefits

- *80 lm/W high lumen efficacy, with high 80+ CRI.
- TUV CB, GS, EMC and RoHS certified.
- LM80 15x30mil 2835 SMD, 94.2% lumen maintenance @ 6,000 hours.
- 3T ENTIRE PMMA LGP, with extrusion process; 1.2T PS diffuser and DXC light reflector.
- ElecCoat™ technology provides white appearance, with superb heat dissipation performance.
- NanoGap™ technology ensures the high lumen efficacy and protection of the LEDs.
- Control: DALI / 0-10V / TRIAC dim control solutions available.
- Long life: L70 @ 60,000 hours.
- 3 years warranty.

* TLP-A-6262N-42



Dimension



Model	Dimension (mm)		
	A	B	C
TLP-A-6262	620	620	11

Ordering Information

Example: TLP-A-6262N-42

Model	Size	Color Temp	Wattage
TLP-A	6262 620*620	W 3000K	42 42W
		N 4000K	
		C 6000K	

Specifications

Optical Parameters

	TLP-A-6262-42		
Size	620x620x11		
CCT	6000K	4000K	3000K
Lumen Output (lm) ±5%	3360	3360	2940
LM Efficacy (lm/W) ±5%	80	80	70
LED Type / Quantity	15x30mil chip / 108pcs		
CRI / SDCM	>80 / <6		

Electrical Parameters

Rated Power ±5%	42W
Rated / Actual Input	180-260VAC / 100-240VAC 50/60Hz
Driver Output Data	25-38VDC / 1030mA / 38W
Power Factor / THD / PE	>0.9 / <20 / 88%
Driver / Connection	Removable Driver / PIP
Over Load / Short Circuit	Protection
Surge / Protection Class IEC	>1KV / Class II
Hi-pot Test Range	SELV Isolated Driver, 3750VDC / 5mA / 60s

Life

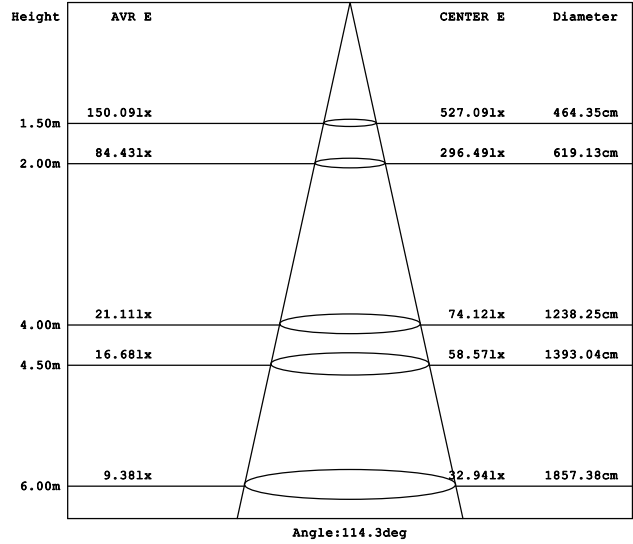
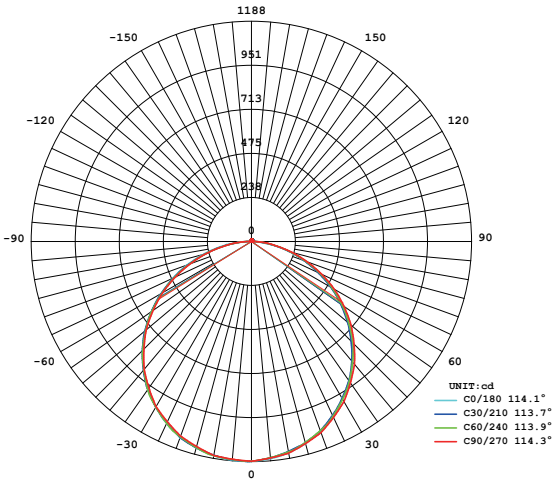
Warranty	3 years
L70 Lifetime	60,000 hours
LM80	>94.2% lumen maintance @ 6,000 hours

Others

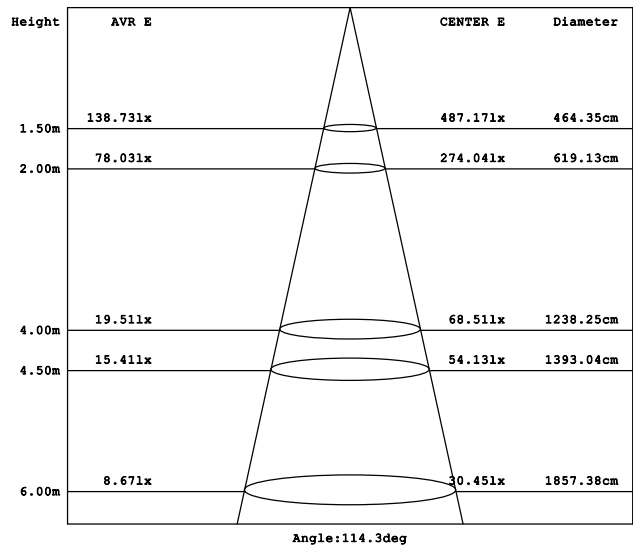
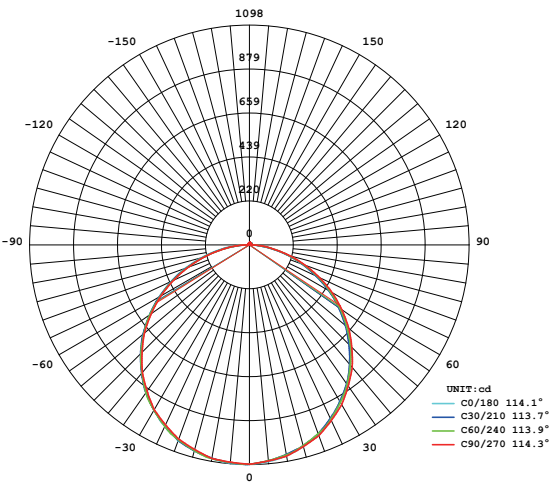
Dim Control	DALI / 0-10V / TRIAC
Frame Color RAL	Pure white / RAL9016
IP / IK / Glow-wire	IP20 / IK06 / 650 °C
Temperature / Humidity	Working: -20 °C ~40 °C Storage: <60 °C / <75%

Photometric Data

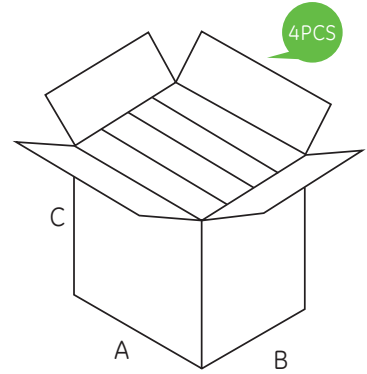
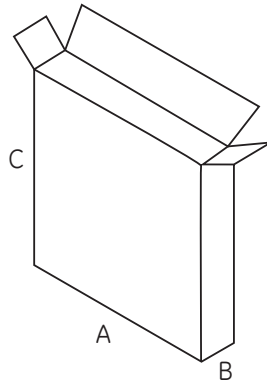
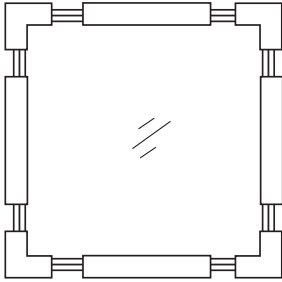
TLP-A-6262N-42 42W 4000k



TLP-A-6262W-42 42W 3000k



Packing Information



Panel		Box		Carton	
Model No.	ABC MAX (mm)	GW (kg)	ABC MAX (mm)	GW (kg)	
TLP-A-6262	665*45*665	5	690*220*690	20.984	